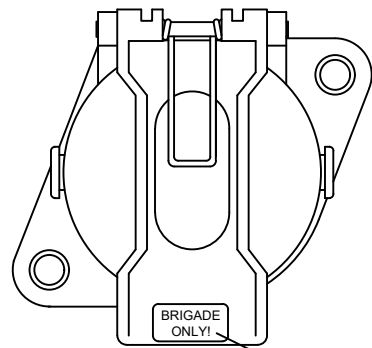
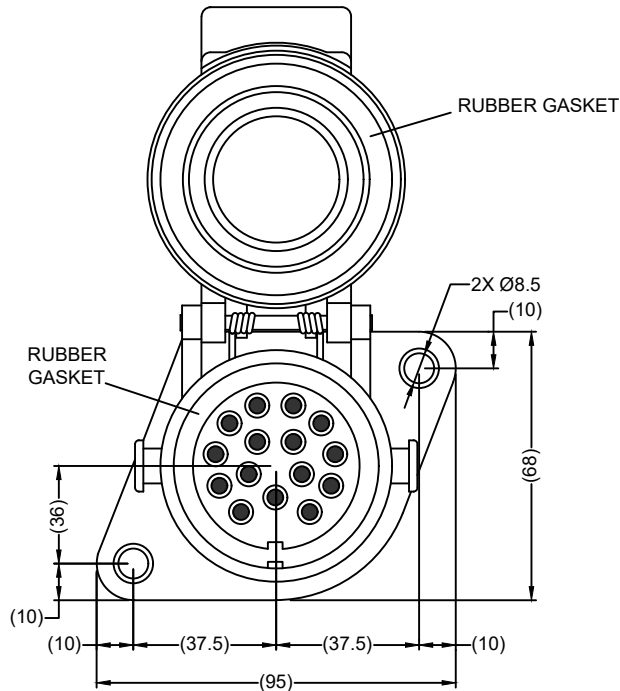


Revision Notes.				
R2 - PINOUT TABLES UPDATED & CABLE BUILDUP UPDATED AS PER CR-A290				
APA: -	Drawn:R. BATES	Checked:B. CHILDS	Approved:G. PLITH	Date: 30/07/14
R3 - SUPPLER DETAIL ALTERED & NOTES UPDATED AS PER CR-A515				
APA: D. LOWE (11/04/17)	Drawn:D. RICHARDSON	Checked:R. BATES	Approved:D. WALLIN	Date: 13/04/17
R4 - FRAME, CONNECTOR DETAIL, PRODUCT LABEL, TABLE & DRAWING NOTES REVISED. CABLE SECTION ADDED AS PER CR-A111				
APA: A. LOWE 31/07/25	Drawn:A. FOSTER	Checked:A. KING	Approved:JN. BATOUR	Date: 05/08/25



BRIGADE ONLY!

"BRIGADE ONLY!" LABEL LOCATION



RUBBER GASKET

RUBBER GASKET

2X Ø8.5 (10)

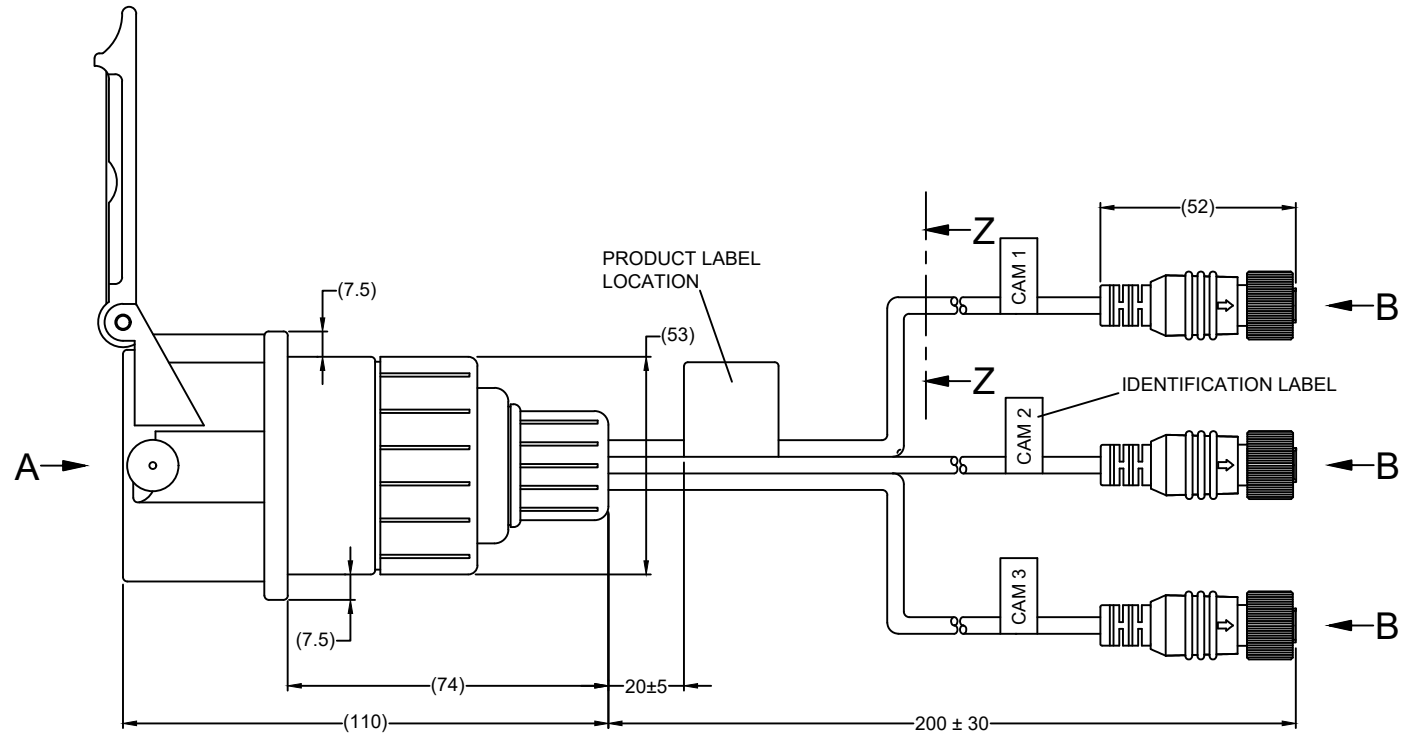
(36)

(68)

(10)

(10) (37.5) (37.5) (10)

(95)



PRODUCT LABEL LOCATION

(7.5)

(53)

(52)

Z

Z

Z

IDENTIFICATION LABEL

CAM 1

CAM 2

CAM 3

(7.5)

(74)

20±5

(110)

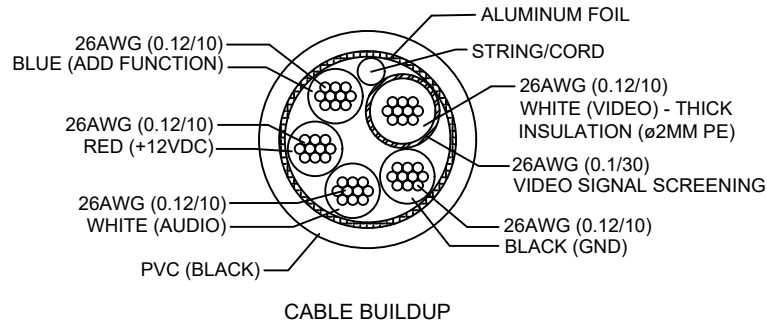
200 ± 30

- NOTES:**
1. FOR CABLE SECTIONS AND CONNECTOR DETAILS SEE SHEET 2.
 2. CABLES MUST BE POTTED IN REAR OF CONNECTOR.
 3. SCREENS MUST BE INSULATED USING HEAT SHRINK.
 4. PHYSICAL APPEARANCE OF THE SOCKET MAY VARY ALTHOUGH FUNCTION MUST REMAIN UNCHANGED.
 5. BLUE WIRES NOT USED TO BE ISOLATED.
 6. "BRIGADE ONLY!" LABEL CONTROLLED BY MANUFACTURER BUT TEXT MUST REMAIN THE SAME.
 7. IDENTIFICATION LABELS CONTROLLED BY MANUFACTURER BUT TEXT MUST REMAIN THE SAME.
 8. FOR BASE CABLE DETAILS REFER TO MASTER BOM.
 9. FOR PRODUCT LABEL AND PACKAGING DETAILS REFER TO MASTER BOM.
 10. ANY CUSTOMER MODIFICATION OF THIS PRODUCT CAUSING SUBSEQUENT FAILURE IS NOT A LIABILITY OF BRIGADE ELECTRONICS PLC.

PROPRIETARY NOTICE
 THIS DESIGN AND TECHNICAL INFORMATION APPEARING ON THIS DRAWING IS THE PROPERTY OF BRIGADE ELECTRONICS, AND IS DISCLOSED IN CONFIDENCE. IT IS NOT TO BE COPIED, REPRODUCED, REVEALED TO OR EXPROPRIATED BY OTHERS, EITHER IN WHOLE OR IN PART WITHOUT THE EXPRESS WRITTEN CONSENT OF BRIGADE ELECTRONICS.

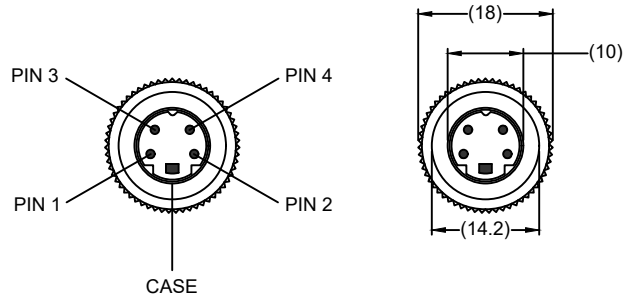
Sheet 1 of 2	Assembly Pl Approval N/A	Approved by S. MATTHEWS	Checked by M. BUTLER	Drawn by B. CHILDS
Customer Approval N/A	Angle of Projection 	Units mm	Scale N/A	Released 23/03/10
 brigade-electronics.com		Status RELEASED	SP-15A-01	
		Part No 3423	BE-001023-04-10	

SECTION Z-Z



CABLE BUILDUP

VIEW B



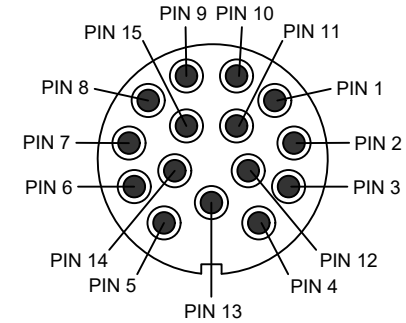
4 PIN MINI DIN MALE MATING FACE

PIN #	WIRE COLOUR	DESCRIPTION
1	THICK WHITE	VIDEO
2	RED	+12V
3	BLUE	ADD. FUNCTION
4	WHITE	AUDIO
CASE	SHIELD/BLACK	GND

Revision Notes.

R2 - PINOUT TABLES UPDATED & CABLE BUILDUP UPDATED AS PER CR-A290				
APA: -	Drawn:R. BATES	Checked:B. CHILDS	Approved:G. PLITH	Date: 30/07/14
R3 - SUPPLIER DETAIL ALTERED & NOTES UPDATED AS PER CR-A515				
APA: D. LOWE (11/04/17)	Drawn:D. RICHARDSON	Checked:R. BATES	Approved:D. WALLIN	Date: 13/04/17
R4 - FRAME, CONNECTOR DETAIL, PRODUCT LABEL, TABLE & DRAWING NOTES REVISED. CABLE SECTION ADDED AS PER CR-A1111				
APA: A. LOWE 31/07/25	Drawn:A. FOSTER	Checked:A. KING	Approved:JN. BATOUR	Date: 05/08/25

VIEW A



15 PIN MALE MATING FACE

PIN #	WIRE COLOUR	SHIELDED	SHIELD CONNECTED TO	FUNCTION
1	RED	NO	N/A	12V FOR CAMERA 1
2	SHIELD/BLACK	NO	N/A	GROUND FOR CAMERA 1
3	WHITE	NO	N/A	AUDIO FOR CAMERA 3
4	THICK WHITE	YES	PIN 2	VIDEO FOR CAMERA 1
5	WHITE	NO	N/A	AUDIO FOR CAMERA 1
6	RED	NO	N/A	12V FOR CAMERA 2
7	RED	NO	N/A	12V FOR CAMERA 3
8	WHITE	NO	N/A	AUDIO FOR CAMERA 2
9	THICK WHITE	YES	PIN 10	VIDEO FOR CAMERA 2
10	SHIELD/BLACK	NO	N/A	GROUND FOR CAMERA 2
11	SHIELD/BLACK	NO	N/A	GROUND FOR CAMERA 3
12	THICK WHITE	YES	PIN 11	VIDEO FOR CAMERA 3
13	N/A	N/A	N/A	NOT USED
14	N/A	N/A	N/A	NOT USED
15	N/A	N/A	N/A	NOT USED

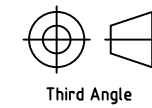
NOTES:
1. ANY CUSTOMER MODIFICATION OF THIS PRODUCT CAUSING SUBSEQUENT FAILURE IS NOT A LIABILITY OF BRIGADE ELECTRONICS PLC.

PROPRIETARY NOTICE
THIS DESIGN AND TECHNICAL INFORMATION APPEARING ON THIS DRAWING IS THE PROPERTY OF BRIGADE ELECTRONICS, AND IS DISCLOSED IN CONFIDENCE. IT IS NOT TO BE COPIED, REPRODUCED, REVEALED TO OR EXPROPRIATED BY OTHERS, EITHER IN WHOLE OR IN PART WITHOUT THE EXPRESS WRITTEN CONSENT OF BRIGADE ELECTRONICS.

Sheet 2 of 2	Assembly Pl Approval N/A	Approved by S. MATTHEWS	Checked by M. BUTLER	Drawn by B. CHILDS
-----------------	-----------------------------	----------------------------	-------------------------	-----------------------

Customer Approval N/A	Angle of Projection	Units mm	Scale N/A	Released 23/03/10	Assembly Ref -
--------------------------	---------------------	-------------	--------------	----------------------	-------------------

Brigade
brigade-electronics.com



Status RELEASED	SP-15A-01
Part No 3423	BE-001023-04-10